



Herts Glass
& Security Solutions LTD

EXPERTS
IN GLAZING
& SECURITY
SOLUTIONS

Herts Glass & Security Solutions Ltd proudly excels in producing cost-effective, creative, and innovative glazing and security solutions. Our exceptional team wholeheartedly embraces the essence of delivering impeccable customer care coupled with top-notch craftsmanship.

Our services cater to both the commercial and domestic sectors, extending our expertise to homeowners, architects, builders, and consultants, enabling them to manifest their visionary concepts throughout the picturesque landscapes of Hertfordshire and its neighbouring areas.

Embracing an extensive array of glazing and security solutions, we offer a plethora of options such as the exquisite Bi-Folds, the finest UPVC products, the regal Aluminium Front Doors, the indispensable Fire Exit Doors, the heavenly Skylights & Lanterns, the robust GRP and solid core Composite Doors, the dependable Steel Security Doors, and an extensive range of additional services and products.

Herts Glass
& Security Solutions LTD

Office: 01923 624 660

Email: info@hertsglass.co.uk

Web: hertsglass.co.uk

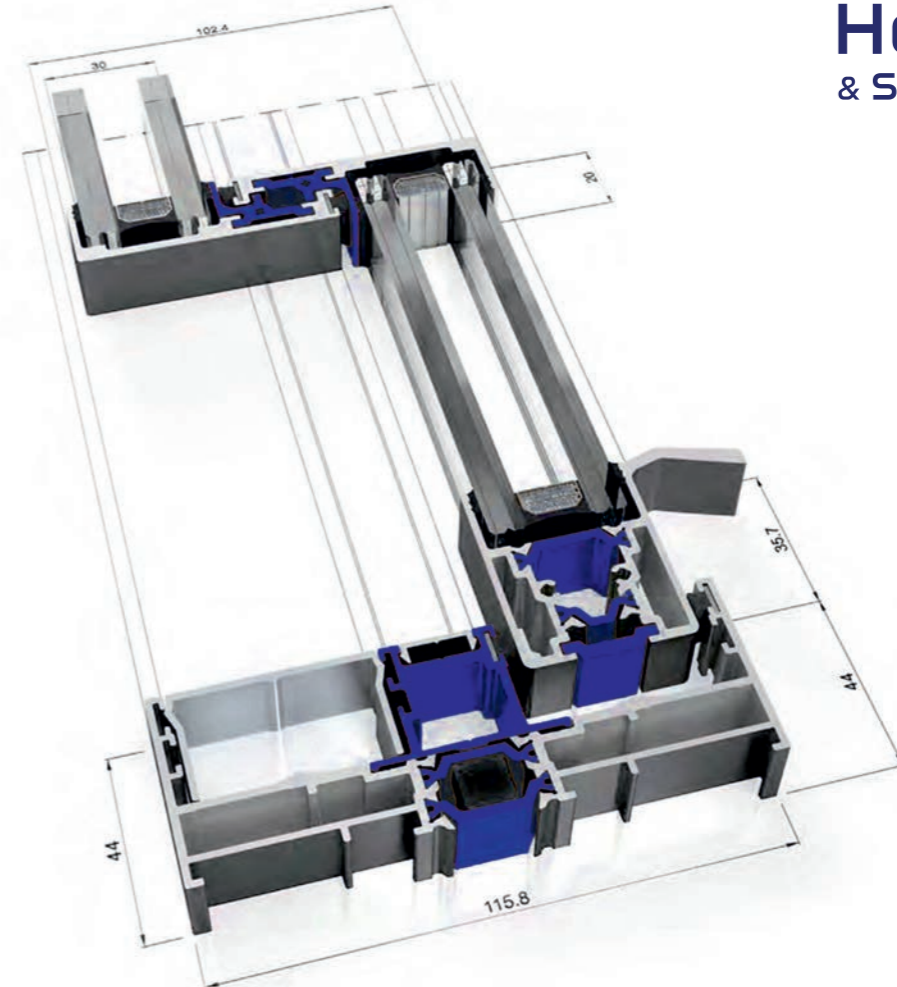
@hertsglass

Unit 1 Ashley House
Vale Industrial Estate
Tolpits Lane
WD18 9QP



Expand your horizons with the ultra slim sliding door with a 20mm sightline and stunning finish that offers seamless transition alongside high performance.

INFINI GLIDE
EXPAND YOUR HORIZONS



Size Limits

Maximum Panel Width	2500 mm
Maximum Panel Height	3000 mm
Maximum Panel Weight	320 kg

Herts Glass
& Security Solutions LTD

THE ULTRA SLIM NEW
MINIMAL SLIDING DOOR
WITH A 20MM SIGHTLINE

Every horizon is worth seeing, and now you can enjoy amazing views from the comfort of your home. InfiniGlide 3 is the perfect, ultra slim frame to bring your outdoors inside.

- **Ultra Slim 20mm Interlock**

- **Up to 2.5m x 3m Per Panel**

- **Fully Concealable Frame & Threshold**

- **3 Tracks & Pocket Door Option**

- **Fully Openable With Glass-To-Glass Corners**

- **Multi-Point Locking**

THRESHOLD HEIGHT	44 mm	
GLAZING THICKNESS	26-30 mm	
GLAZING METHOD	Structurally bonded	
MINIMUM SIGHTLINE	20 mm	
FRAME DEPTH	1 RAIL	116 mm
FRAME DEPTH	2 RAIL	116 mm
FRAME DEPTH	3 RAIL	182 mm

PERFORMANCE	
U-VALUE	From 1.3 W/m ² K
AIR PERMEABILITY	Class 4
WATER TIGHTNESS	Class 7A
WIND RESISTANCE	Class C5
MAXIMUM ACOUSTIC INSULATION	41 dB Rw
ENHANCED SECURITY	Multi-Point Locking